

Humberside's Christmas Cracker

Kit List

For some of the activities throughout the weekend, you will need some ingredients, materials and equipment. A list of these items is below.

We have broken it up into each activity so you can pick and choose the ones you would like to join in with.

Remember you can always improvise with anything you already have at home!

Mini Tin Christmas Cakes

- 6 empty tins (200g size)
Washed and labels removed
- Greaseproof paper
- Scissors
- Butter or cooking spray to grease tins.
- Mixing bowl
- Spoon and whisk
(or electric alternatives)
- Skewer
- Baking tray

Cake Mixture

- 175g plain flour
- ½ tsp ground mixed spice
- ½ tsp ground nutmeg
- 150g butter (or dairy free alternative)
- 150g soft brown sugar
- grated rind of 1 lemon
- 1 tbs black treacle
- 3 large eggs
- 40g ground almonds
- 500g dried mixed fruit
- 50g glacé cherries
- 50g blanched almonds, roughly chopped

There is a competition for the best decorated cakes, so feel free to get creative here with your own ideas!

- Marzipan
- Icing
- Cake decorations

Woolly Santa

- Curtain ring or a ring made out of cardboard
- Lengths of red and white wool
- Scissors
- Glue
- Circle out of felt or cardboard, to fit your ring.
- Googly eyes (optional, could be drawn on instead)
- Pompom for nose

Christmas Truffles

- Scales
 - Rolling pin
 - Pan
 - Spoons
 - Mixing bowl
 - Greaseproof paper or mini bun cases
 - Bowls for toppings
 - Bag to crush biscuits in
 - 20 digestive biscuits
 - 125g unsalted butter
 - 200g condensed milk
 - 120g desiccated coconut
 - 2 tbs of cocoa powder
- These are suggestions for toppings:
- Salted caramel and vanilla extracts
 - Desiccated coconut
 - Chocolate strands

Christmas Parcels

- Template attached
- A4 paper or card for the box
- Paper glue or double sided tape
- Pencil crayons/ wax crayons/ felt tips/ glitter (Something to decorate the box)
- String or ribbon to go around

Land Art

- An outside area
- Natural resources such as; leaves, twigs, grass, moss, pine cones, etc.

Twig Christmas Trees

- Straight twigs (bring them in to dry)
- Scissors
- Cardboard/card stars
- Wool (red or green)
- Something to stick/hold them together
Glue gun(if you have one) or Sellotape / double sided sticky tape.

Christmas Den Building

- A tent (if you are brave enough to face the cold!)
- Sheets and blankets
- Cushions
- A place in your house to build
- Christmas decorations!

Reindeer Balls

- 1 A4 piece of brown card/paper
- 1 A4 piece of coloured paper/card for antlers
- 2 google eyes
- 1 small red Pom Pom for Rudolph's nose
- Pencil
- Ruler
- Scissors
- Glue stick
- String (optional)

Family Quiz

- Device / screen to view the questions on
- Device to input your answers into the Google Docs Form

Toilet Roll Reindeers

- 1 and a half toilet roll tubes
- 4 sticks for the legs
- 1 short stick for the neck
- 2 antler shaped twigs
- A red nose

Pasta Christmas Tree

- Glue gun and glue sticks
- Paper plate or card
- Scissors
- Pasta shells (about 70)
- 1 x bowtie pasta
- Red paint
- Green paint or spray paint
- Gold balls/beads

Hot Chocolate Stirrers

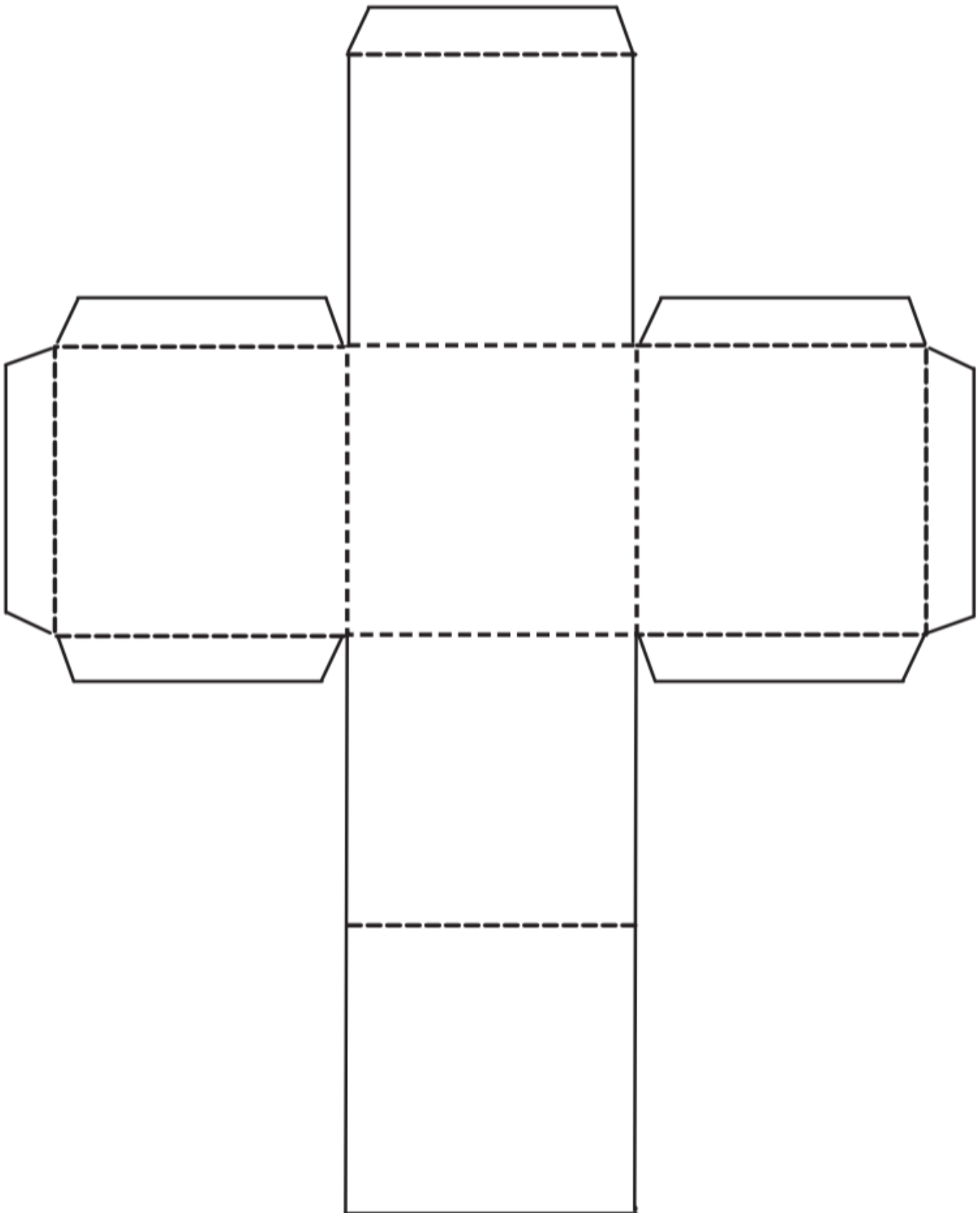
- Pan
- Bowl
- Spatula or wooden spoon to stir melted chocolate
- Chocolate
- Cellophane (or wrapping paper)
- Ice cube tray or shot glasses or small measuring cups
- Mini marshmallows
- Ribbon or string
- Stirring stick/spoon or a candy cane
- Mug
- Milk

Christmas Crackers

- Wrapping paper
- Ribbon
- 2 x toilet rolls
- Sweets or small gifts/toys
- Cracker snaps (optional)
- Scissors

Cube Pattern

Cut on solid lines - Fold on dashed lines



© www.atozteacherstuff.com